

DOOR ADJUSTMENTS FOR FIREPLACE DOORS BUILT FOR FACTORY BUILT FIREPLACES

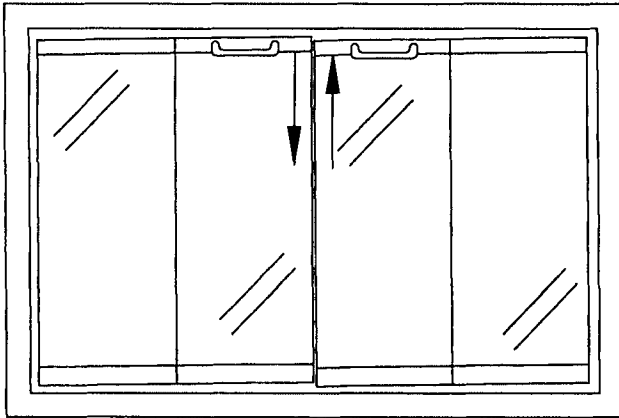
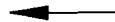


FIG #1

OUR FIREPLACE DOORS ARE FULLY ASSEMBLED AND ADJUSTED PRIOR TO LEAVING THE FACTORY. HOWEVER, THE GLASS DOORS MAY HAVE SHIFTED DURING SHIPMENT, REQUIRING AN ADJUSTMENT TO GET THE GLASS DOORS TO HANG PROPERLY.

9. AFTER INSTALLING THE FIREPLACE DOOR, CHECK HOW DOORS OPERATE. CHECK THE GAPS AT THE CENTER AND BETWEEN THE GLASS DOORS AND THE FRAME. IF THE GAPS ARE THE SAME BUT THE TOPS ARE NOT IN ALIGNMENT, IT MAY BE NECESSARY TO MOVE THE BOTTOM FRAME OVER TO BRING THE TOPS OF THE GLASS DOORS INTO ALIGNMENT. LOOSEN THE NUT BEHIND BOTH OF THE BOTTOM BRACKETS AND SHIFT THE BOTTOM OF THE DOOR OVER UNTIL THE GLASS DOORS ARE IN ADJUSTMENT. RETIGHTEN THE NUTS. SEE FIG # 1



10. IF THE GAP BETWEEN THE GLASS AT THE CENTER IS DIFFERENT TOP TO BOTTOM, YOU WILL NEED TO ADJUST THE HINGES. THE GAP SHOULD BE APPROXIMATELY 1/16" BETWEEN THE GLASS DOORS AT THE CENTER (1/8" FOR DOORS FOR FACTORY BUILT FIREPLACES). DETERMINE WHICH HINGE IS OUT OF ALIGNMENT. USING A PHILLIPS SCREWDRIVER, LOOSEN THE SCREW THAT HOLDS THE HINGE TO THE FRAME, AND SLIDE THE HINGE OVER SLIGHTLY AND RETIGHTEN. CHECK THE DOOR OPERATION, AND REPEAT THIS PROCEDURE IF NECESSARY. SEE FIG#2

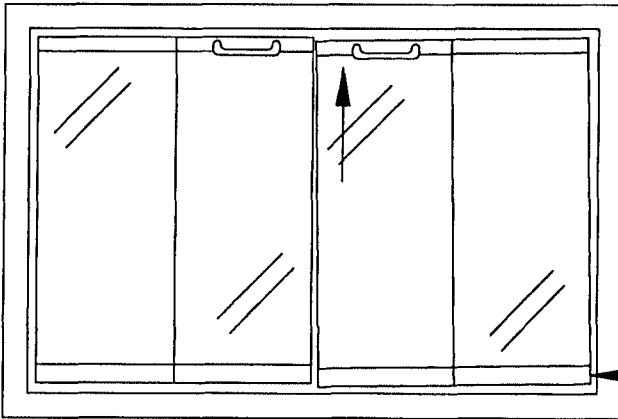
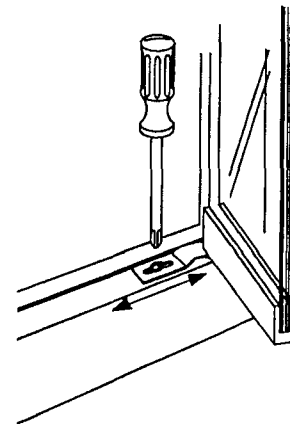


FIG #2

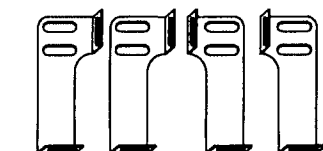


STANDARD MOUNTING METHOD FOR DESIGN SPECIALTIES FIREPLACE DOORS DESIGNED TO FIT FACTORY BUILT FIREPLACES

NOTE:

Due to the vast number of manufacturers and models of factory built fireplaces, we have provided a mounting system to fit the greatest number of fireplaces. However, it may be necessary to use an alternative to our standard method of installation. The installer must determine the best method to get the fireplace door mounted securely to the opening. The alternative brackets may be used instead of the standard brackets or in combination with the standard brackets to get the best results. Alternative mounting brackets may be ordered separately from your dealer. Moveable attachment points are provided in the back frame. This allows you to move the attachment point to match bracket placement.

STANDARD HARDWARE KIT FOR FACTORY BUILT FIREPLACES



2 LEFT AND 2 RIGHT BRACKETS



8 SCREWS 4 HEX NUTS 4 WING NUTS

TOOLS NEEDED:

PENCIL
1/8" DRILL
PHILLIPS SCREWDRIVER
PLIERS OR 11/32" WRENCH
(IF WINGNUTS DONT WORK)
3/32" ALLEN WRENCH
(FOR ADJUSTMENT)

INSTRUCTIONS:

The mounting brackets are installed in each corner of the factory built fireplace as shown.

- Place a bracket in the inside corner of the fireplace with the front edge of the bracket aligned with the front of the fireplace. The small tabs are to the front of the fireplace.
- Use a pencil to mark slot locations. See fig #1
- Repeat for all 4 inside corners of the fireplace.
- Use a 1/8" drill to drill a hole in each of the marked slot locations.
- Place bracket back into position and using the screws provided, attach brackets to the fireplace.
- The fireplace door attaches to the brackets with the 4 studs located on the backside of the fireplace door.
- Place door onto opening, align studs with the slots in the brackets. It may be necessary to move the stud slightly in the frame. Loosen the stud with a 3/32" allen wrench. Slide the stud up or down to align with the bracket, retighten the stud.
- Using the nuts provided, secure the fireplace door to the brackets. Wing nuts are provided which makes installation easier. Clearance between fireplace door and the inside of the firebox may make the wing nuts difficult to use. See fig #2.

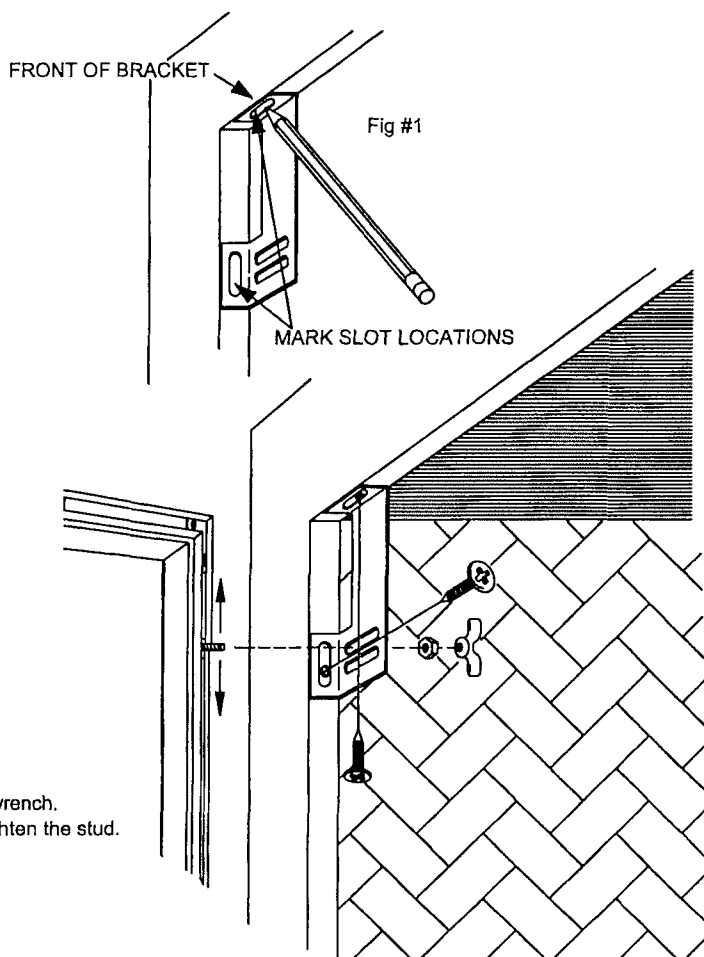
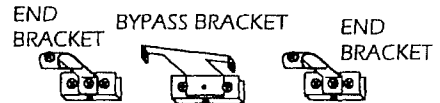


Fig #2

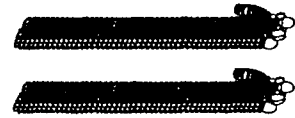
DESIGN SPECIALTIES

DESIGN SPECIALTIES MESH CURTAIN INSTALLATION

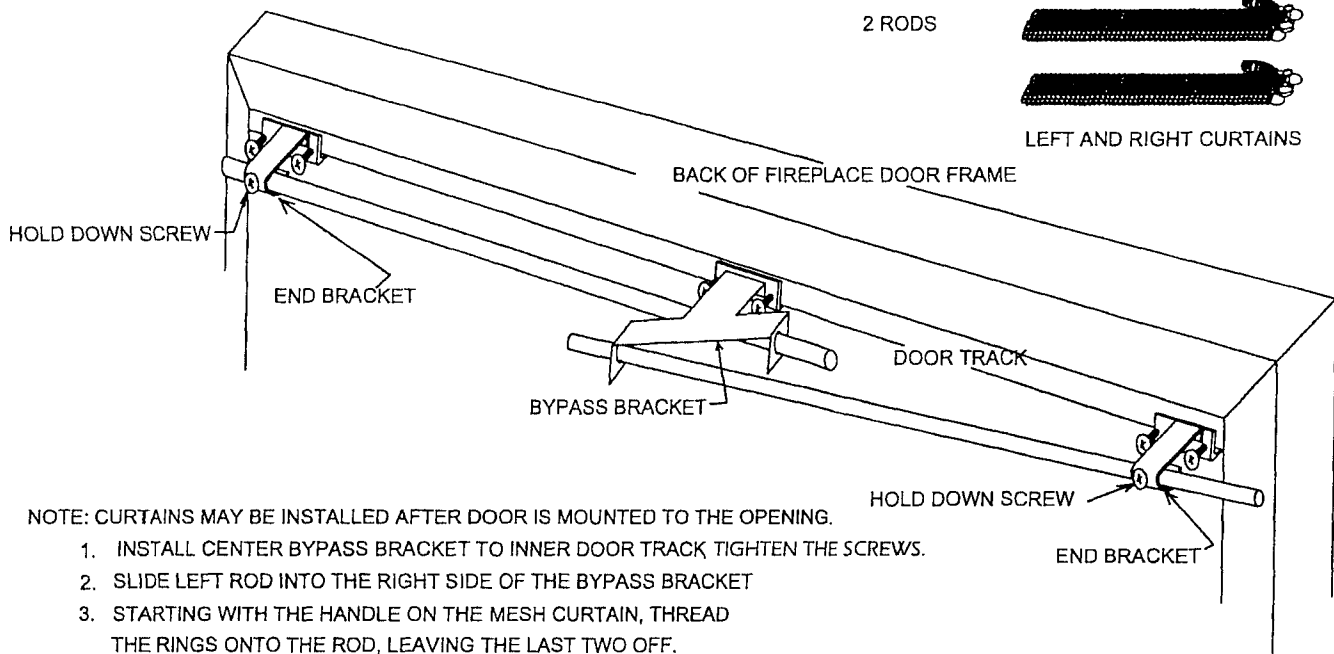
COMPLETE MESH CURTAIN KIT



2 RODS

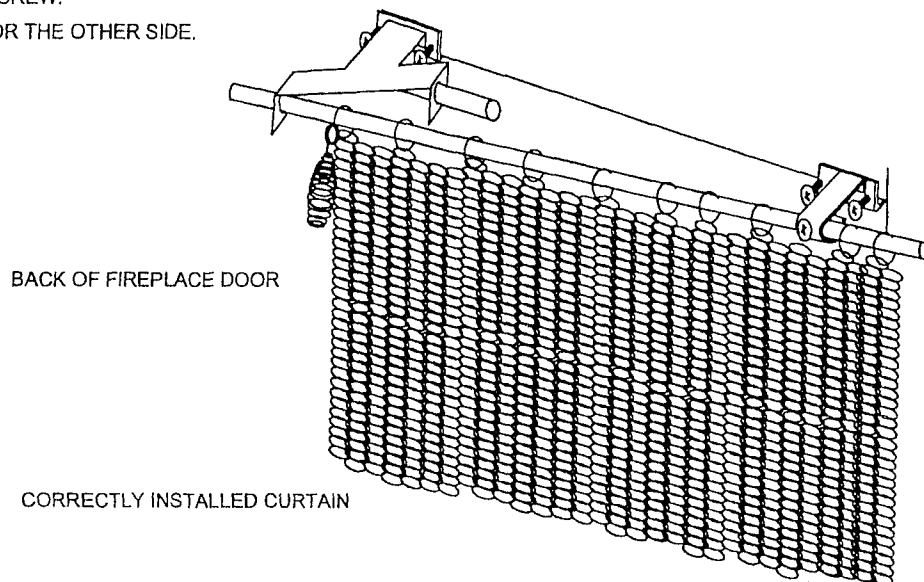


LEFT AND RIGHT CURTAINS



NOTE: CURTAINS MAY BE INSTALLED AFTER DOOR IS MOUNTED TO THE OPENING.

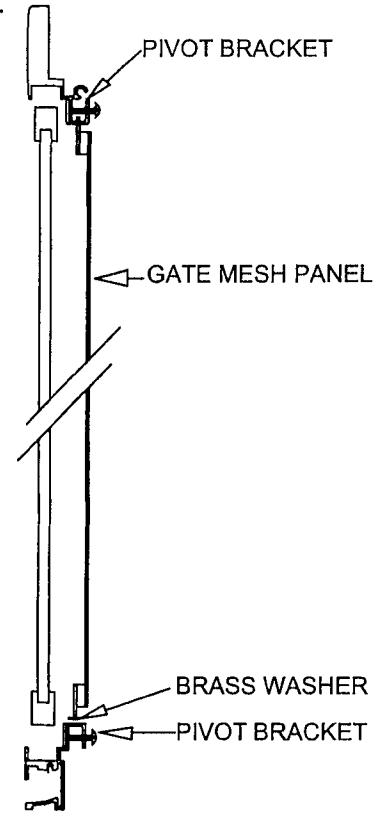
1. INSTALL CENTER BYPASS BRACKET TO INNER DOOR TRACK TIGHTEN THE SCREWS.
2. SLIDE LEFT ROD INTO THE RIGHT SIDE OF THE BYPASS BRACKET
3. STARTING WITH THE HANDLE ON THE MESH CURTAIN, THREAD THE RINGS ONTO THE ROD, LEAVING THE LAST TWO OFF.
4. SLIP THE END BRACKET ONTO ROD AND POSITION THE END BRACKET TO THE INNER DOOR TRACK AT THE OUTER END OF THE TRACK. TIGHTEN THE SCREWS.
5. SLIP THE REMAINING RINGS ONTO THE ROD ON THE OUTSIDE OF THE END BRACKET.
6. SLIDE THE ROD OUTWARD UNTIL IT CONTACTS THE INSIDE OF THE FIREPLACE OPENING.
7. TIGHTEN THE HOLD DOWN SCREW.
8. REPEAT THE PROCEDURE FOR THE OTHER SIDE.



DESIGN SPECIALTIES

GATE MESH DOOR INSTALLATION INSTRUCTIONS

1. INSTALL PIVOT BRACKETS ONTO THE INSIDE OF THE BOTTOM DOOR TRACK AS SHOWN.
2. INSTALL BOTTOM GATE MESH PANEL PIVOT INTO PIVOT BRACKET WITH BRASS WASHER BETWEEN PANEL AND BRACKET. SEE FIG #1
3. PLACE A PIVOT BRACKET ONTO THE TOP GATE MESH PIVOT. TIP PANEL UP SO THE PIVOT BRACKET SLIPS ONTO THE INNER DOOR TRACK AT THE TOP. SNUG SCREWS. REPEAT THIS PROCEDURE FOR THE OTHER SIDE. SEE FIG #2.
4. ADJUST THE PANELS BY LOOSENING SCREWS AND MOVING BRACKETS TO GET THE PANELS TO ALIGN AT THE CENTER. SNUG ALL SCREWS.
5. INSTALL THE CLOSURE BRACKET ONTO THE TOP INSIDE DOOR TRACK. TIGHTEN THE BLACK SCREWS.
6. ADJUST CLOSURE BY OPENING THE LEFT PANEL. WITH THE RIGHT PANEL CLOSED, LOOSEN GOLD COLORED SCREW, SLIDE THE CLOSER CLIP DOWN SO IT JUST TOUCHES THE CLOSED RIGHT PANEL. TIGHTEN THE SCREW. THE RIGHT PANEL SHOULD OPEN AND CLOSE WITH A SLIGHT SNAP. SEE FIG #3



INSTALLATION SIDE VIEW

FIG #1

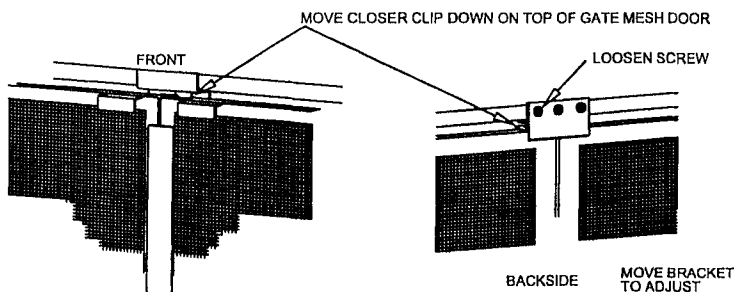
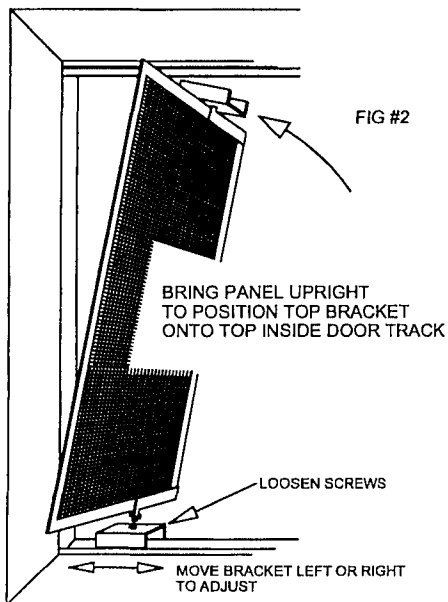
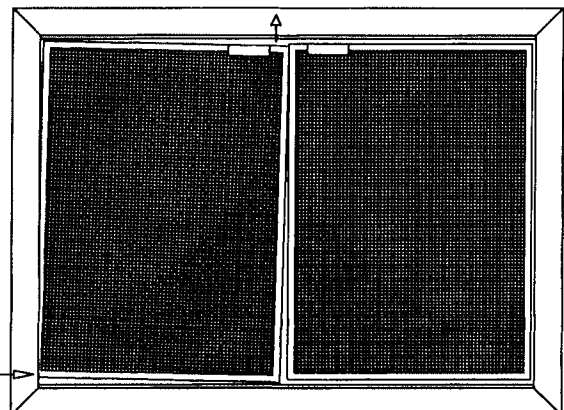


FIG #3



WARRANTY INFORMATION

LIMITED WARRANTY

Design Specialties, Inc. warrants the glass enclosure to be free from defects in materials and workmanship for a period of one (1) year from the date of installation. Design Specialties, Inc. warrants the metal work (exclusive of finish) contained in the glass enclosure to be free from defects in the materials and workmanship for a period of two (2) years from the date of installation. Discoloration of any frame piece is caused by overfiring and is considered abuse of the enclosure. DESIGN SPECIALTIES, INC. MAKES NO WARRANTIES AS TO MAXIMUM TEMPERATURE AND STRESSES WHICH MAY CAUSE GLASS BREAKAGE. **LIFETIME WARRANTY ON GLASS.** It will, however, replace without cost any glass that breaks in normal use. Design Specialties, Inc. will cover shipping costs for replacement glass for a period of one (1) year from date of installation. Warranties also are not transferable to new owners. All warranty claims should be directed to customer's local dealer for prompt service.

The foregoing limited warranty is not transferable by the customer and does not include the eventual defects caused by improper use or operation of the glass enclosure or by normal wear and tear. Design Specialties, Inc. agrees that if the glass enclosure is determined to be defective in manufacture within the applicable written guarantee period set forth above, and the customer provides a written notice of such defect within fourteen (14) days of the end of such period to the customer's local dealer, Design Specialties, Inc. is limited to defects in manufacture, and Design Specialties, Inc. shall not be responsible if the glass enclosure has not been used at all times with reasonable care and in accordance with the instructions which accompany each glass enclosure, and/or if any attempt has been made by any person other than Design Specialties, Inc. or its authorized agents to repair, alter or otherwise interfere with the glass enclosure. The foregoing undertaking of Design Specialties, Inc. is limited to the replacement of any part determined by Design Specialties, Inc. to be defective. Finally, the enforceability of this Limited Warranty shall be further subject to compliance with the following requirements:

- (a) That the customer complies with the instructions set forth above and does not misuse, abuse, alter, or modify the glass enclosure.
- (b) That the customer does not use the glass enclosure for a purpose other than its intended use.

DISCLAIMER

THE LIMITED WARRANTY SET FORTH ABOVE, IS EXPRESSLY IN LIEU OF ANY OTHER WARRANTIES, EXPRESS OR IMPLIED, INCLUDING WITHOUT LIMITATION ANY WARRANTY OF MERCHANTABILITY OR FITNESS FOR PARTICULAR PURPOSES, WHETHER EXPRESS OR IMPLIED, AND IN LIEU OF ANY OTHER OBLIGATIONS OR LIABILITY ON THE PART OF DESIGN SPECIALTIES, INC. WHETHER UNDER THEORIES OF CONTRACT, TORT OR OTHERWISE AND INCLUDING WITHOUT LIMITATION ALL THEORIES OF STRICT LIABILITY OR NEGLIGENCE. DESIGN SPECIALTIES, INC., SHALL HAVE NO LIABILITY FOR ANY CONSEQUENTIAL, INCIDENTAL OR SPECIAL DAMAGES BY REASON OF ANY ACT OR OMISSION, WHETHER NEGLIGENT OR NOT, ARISING OUT OF OR IN CONNECTION WITH THE GLASS ENCLOSURE OR ITS SALE, DELIVERY, INSTALLATION, MAINTENANCE, OPERATION, PERFORMANCE, OR USE, INCLUDING WITHOUT LIMITATION ANY LOSS OF USE, DAMAGE TO ASSOCIATED PROPERTY OR TO FACILITIES, OR ANY OTHER SIMILAR AND DISSIMILAR LOSSES, COSTS OR DAMAGES.

PLEASE NOTE: Each Design Specialties door is hand crafted to the specifications of each order. Due to the nature of the anodization process on aluminum doors, and the plating/powdercoating process on steel doors, slight variations in color may occur and will not be considered a warranty issue.

Please contact your Design Specialties dealers regarding warranty issues. For other comments, suggestions or feedback please contact us directly through our website: www.glassfireplacedoors.com